

Project Name _____

Catalog No. _____ Date _____

The NX SimpleTouch™ graphic wall station is an attractive and capable user interface for a NX controlled space. The 3.5" high resolution touch screen is highly visible from any angle and is simple to use. NX SimpleTouch provides users with a flexible and intuitive lighting control solution for switching, dimming, SpectraSync™ color temperature (CCT) control and preset activation. The NX SimpleTouch display is designed to be mounted to a standard single-gang rectangular wall box using the provided trim. Alternately it can be mounted into an enclosure or panel, enabling a wide range of customer applications.

NX SimpleTouch is a low-voltage device and can be powered directly by any available SmartPort™ NXRC (room controller) or NXFM (fixture controller) by using a standard Ethernet cable. NX SimpleTouch is the ideal solution for conference rooms, classrooms, multipurpose areas or any area that can benefit from a compact and versatile wall-mounted lighting control interface.

Product Features

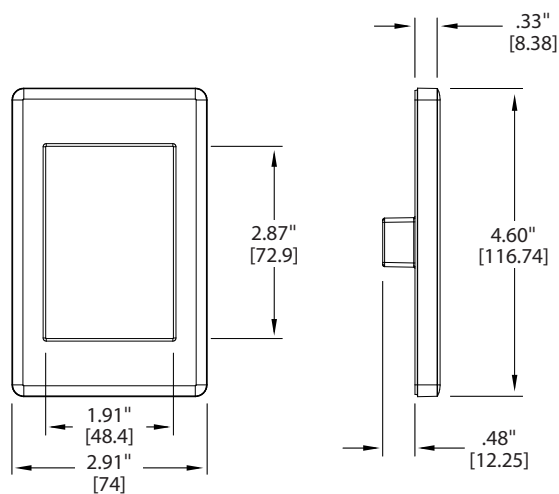
- Flexible, user friendly interface
- Customizable home screen and navigation
- 3.5" resistive LCD-TFT full color touch screen
- 320x480 screen resolution
- Mounts to a standard single gang switch box
- 4GB microSD card for storing user preferences up to 16 presets
- Single Cat5 connection to NX room system
- Up to 16 groups for on/off, dimming, or CCT control
- Allows playback of up to 16 preset scenes
- Setup groups, presets, and schedules using linked Smart Device*
- Optional password access control
- Adjustable screensaver backlight
- 5 year warranty

*Requires the NXBTC Bluetooth radio module ordered below

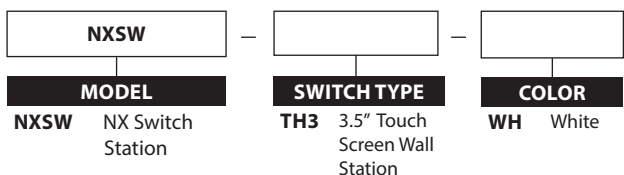
Compliance and Certification



Dimensional Data



Ordering Information



Optional Equipment (connect to RJ45 jack on rear of station)

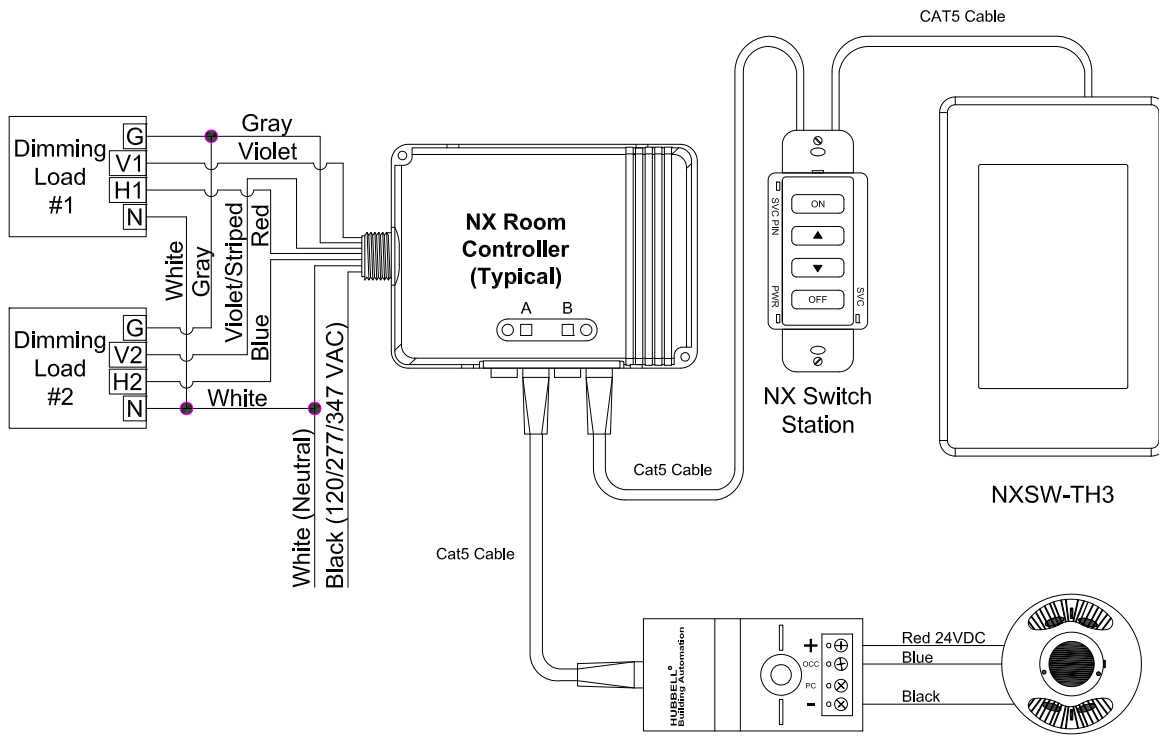
MODEL	
NXSW-TH3-KIT	Color change kit, includes Ivory, Grey, Black, and Light Almond replacement bezels
NXBTC	Bluetooth radio bridge, real time clock, password protection, Blue

Ordering Information

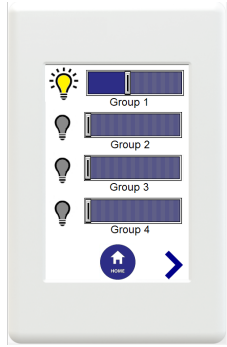
CAT5 System Cables

MODEL/DESCRIPTION	
CAT5-3IN-OR-PLENUM	CAT5 Cable for NX SmartPORT™ Devices, Plenum Rated, 3in, Orange
CAT5-3F-OR-PLENUM	CAT5 Cable for NX SmartPORT™ Devices, Plenum Rated, 3ft, Orange
CAT5-10F-OR-PLENUM	CAT5 Cable for NX SmartPORT™ Devices, Plenum Rated, 10ft, Orange
CAT5-25F-OR-PLENUM	CAT5 Cable for NX SmartPORT™ Devices, Plenum Rated, 25ft, Orange
CAT5-50F-OR-PLENUM	CAT5 Cable for NX SmartPORT™ Devices, Plenum Rated, 50ft, Orange
CAT5-100F-OR-PLENUM	CAT5 Cable for NX SmartPORT™ Devices, Plenum Rated, 100ft, Orange

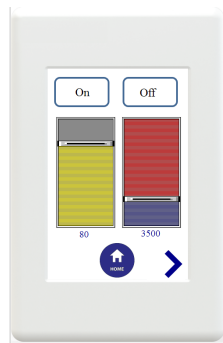
Wiring Diagrams



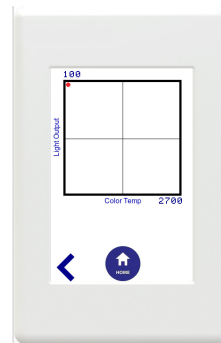
Typical Screens



Group Control Screen



Master Control Screen



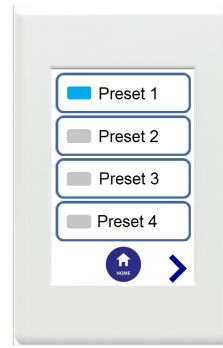
Color Temp & Chromaticity Screen



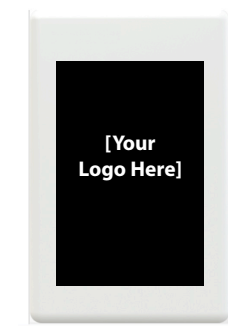
Security Pin Screen



Group Control Screen



Preset Control Screen



Screen Saver Screen

General Specifications

Screen	3.5" diagonal TFT, 320 x 480 resolution, 65K colors Integrated 4 wire Resistive Touch 48.96mm X 73.44mm viewing area Contrast ratio 500 - 1
Dimensions	2.91" W X 4.60" H X .33" D
Compliance	cULus Listed
Input Voltage	12 – 24 VDC
Input Power	130 mA
Mounting	Single gang switch box or low voltage ring
Color	White, Ivory, Gray, Light Almond, Black
Wiring	Plug-in RJ45 connector and Cat5e cable
Addressing	16 position rotary switch
Power Requirements	Powered by NX™ SmartPORT using plenum rated CAT5 cables (ordered separately)
Operating Environment	Indoor use only Operating Temperature 32° to 104° [0° to 40°] Relative humidity (non-condensing): 0 to 95%
Weight	6 ounces
Warranty	Five year limited